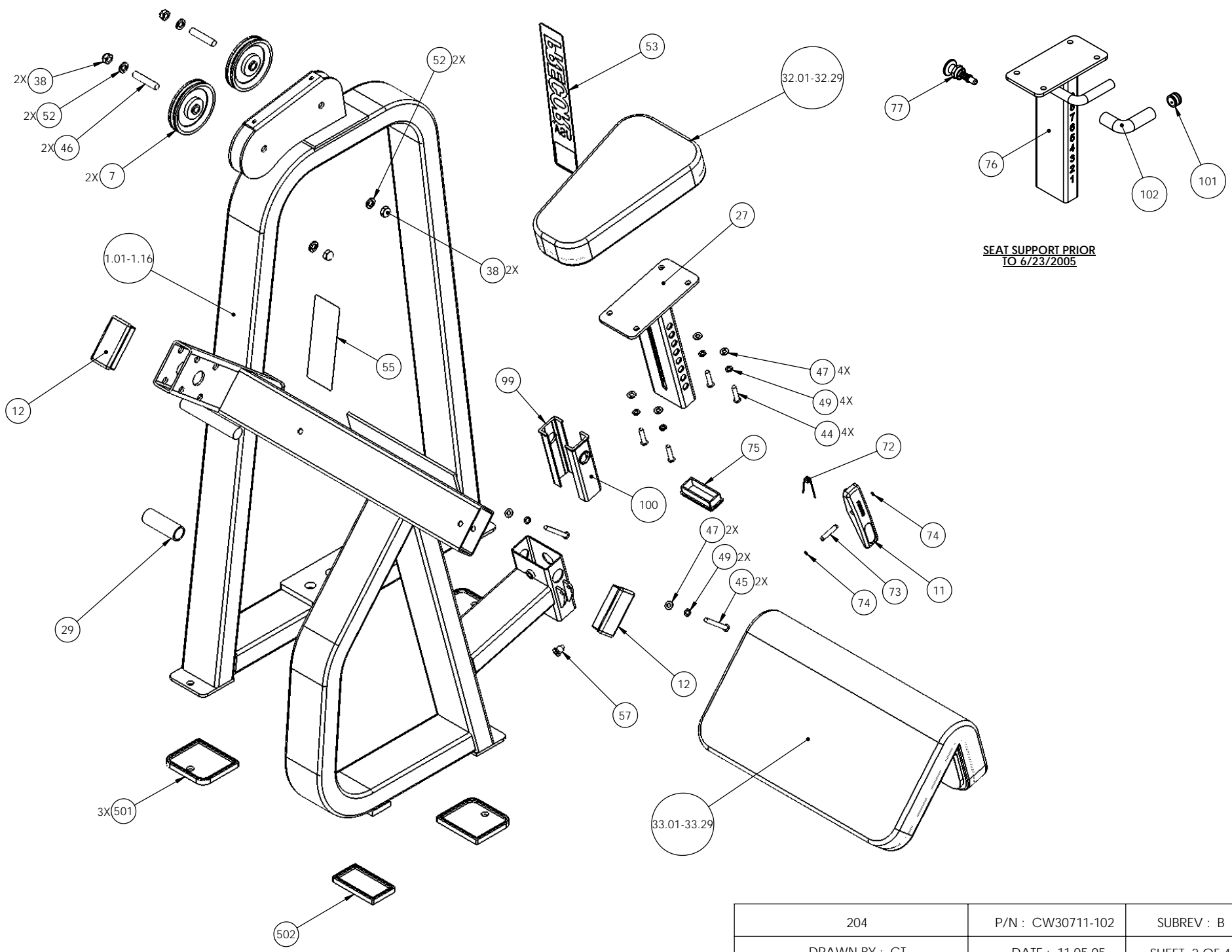
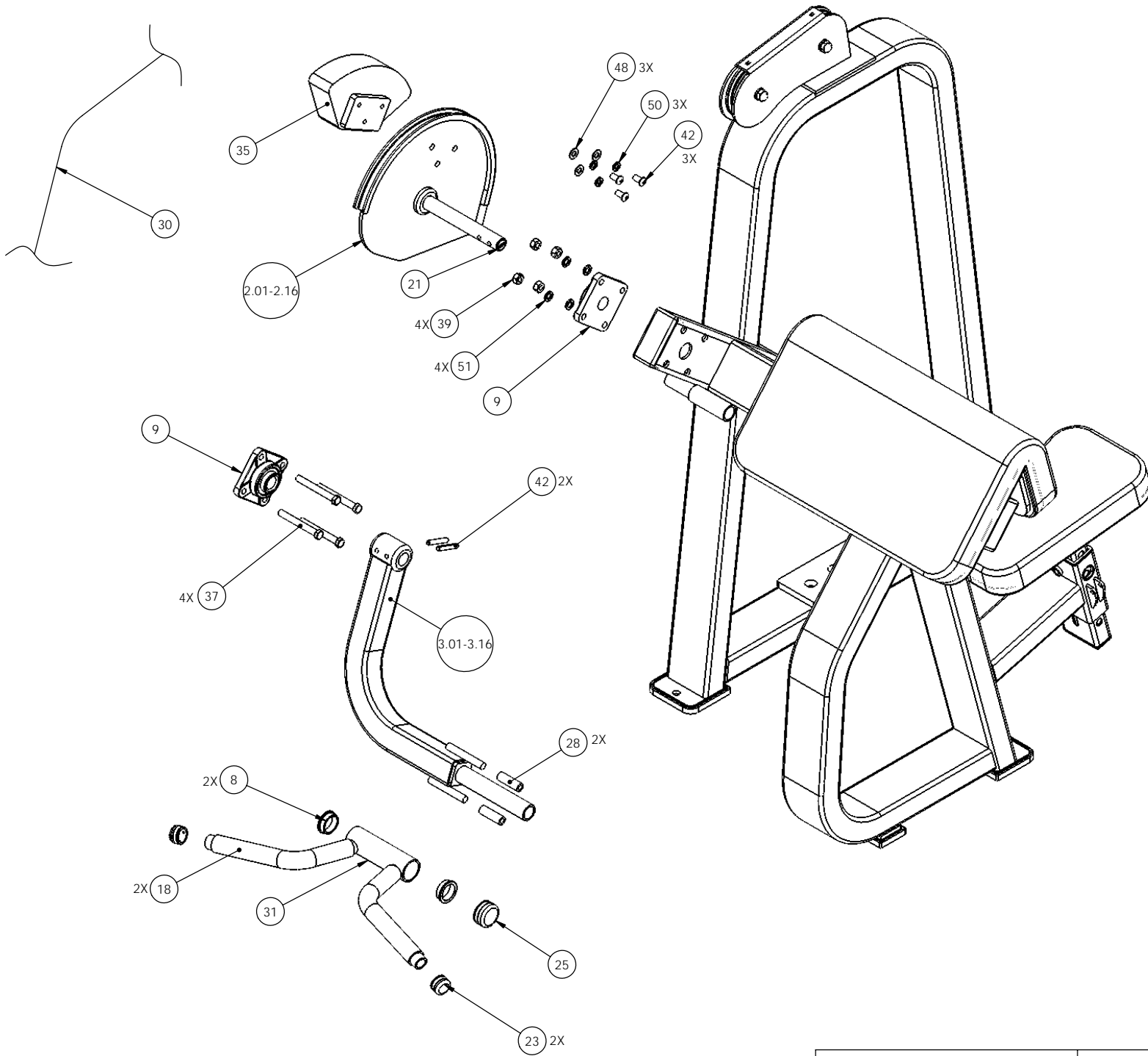


204	P/N : CW30711-102	SUBREV : B
DRAWN BY : CT	DATE : 11.05.05	SHEET 1 OF 4

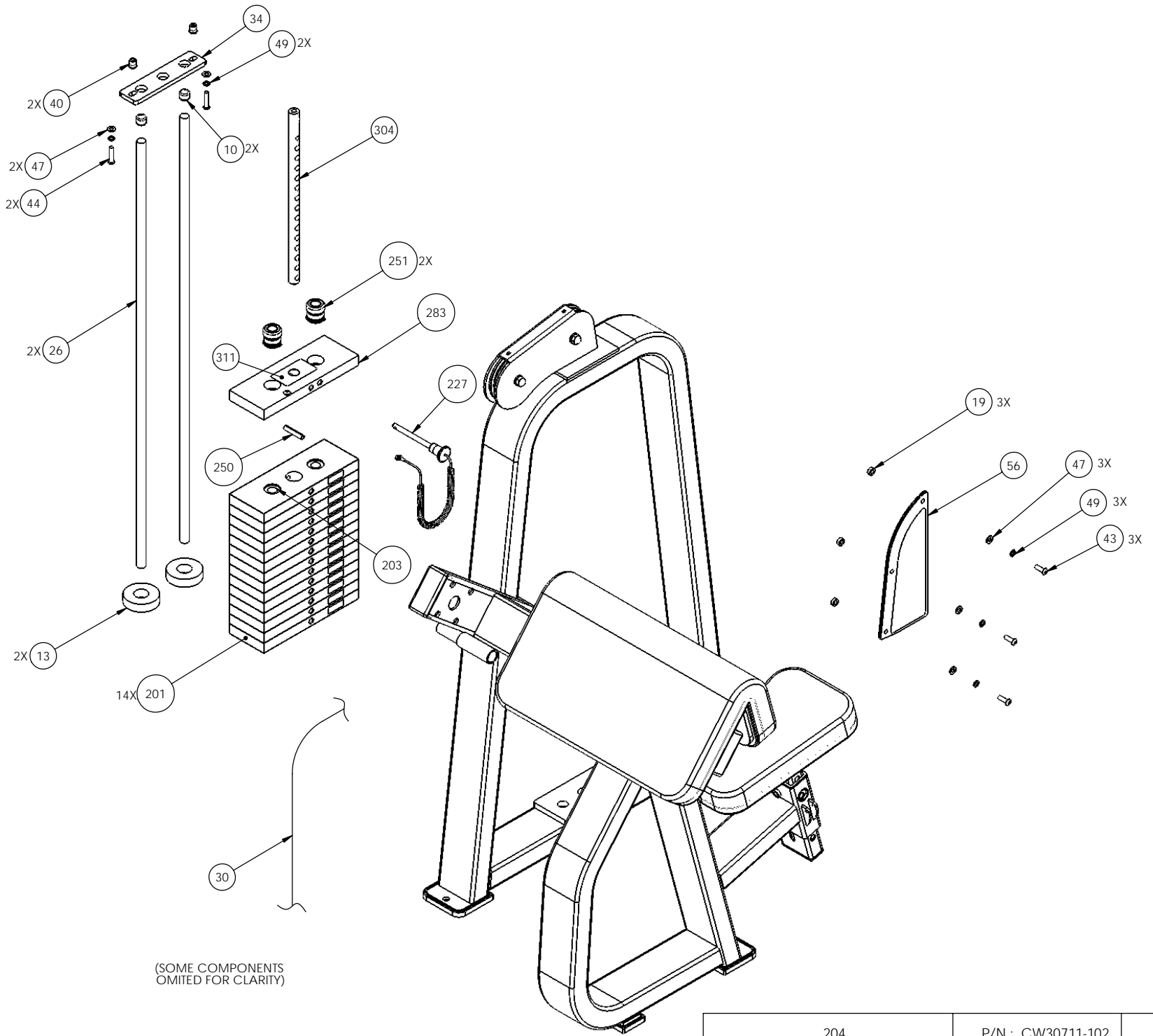


**SEAT SUPPORT PRIOR
TO 6/23/2005**

204	P/N : CW30711-102	SUBREV : B
DRAWN BY : CT	DATE : 11.05.05	SHEET 2 OF 4



204	P/N : CW30711-102	SUBREV : B
DRAWN BY : CT	DATE : 11.05.05	SHEET 3 OF 4



204	P/N : CW30711-102	SUBREV : B
DRAWN BY : CT	DATE : 11.05.05	SHEET 4 OF 4

204 Camber Curl

Part Number	Description	Bubble Number
CW204SA1-211	ASSY,FRAME,MAIN,204,SKY WHITE	1.01
CW204SA1-212	ASSY,FRAME,MAIN,204,SKY WHITE	1.01
CW204SA1-221	ASSY,FRAME,MAIN,204,BLACK	1.02
CW204SA1-222	ASSY,FRAME,MAIN,204,BLACK	1.02
CW204SA1-231	ASSY,FRAME,MAIN,204,RED	1.03
CW204SA1-251	ASSY,FRAME,MAIN,204,SILVER	1.05
CW204SA1-261	ASSY,FRAME,MAIN,204,BLUE	1.06
CW204SA1-271	ASSY,FRAME,MAIN,204,CHARCOAL	1.07
CW204SA1-281	ASSY,FRAME,MAIN,204,CATHEDRAL GRAY	1.08
CW204SA1-291	ASSY,FRAME,MAIN,204,SILVER VIEN	1.09
CW204SA1-311	ASSY,FRAME,MAIN,204,STONE HG	1.11
CW204SA1-312	ASSY,FRAME,MAIN,204,STONE HG	1.11
CW204SA1-321	ASSY,FRAME,MAIN,204,TITANIUM HG	1.12
CW204SA1-322	ASSY,FRAME,MAIN,204,TITANIUM HG	1.12
CW204SA1-331	ASSY,FRAME,MAIN,204,WHITE GLOSS	1.13
CW204SA1-341	ASSY,FRAME,MAIN,204,BLACK ONYX	1.14
CW204SA1-351	ASSY,FRAME,MAIN,204,LIGHT BRONZE	1.15
CW204SA1-352	ASSY,FRAME,MAIN,204,LIGHT BRONZE	1.15
CW204SA1-361	ASSY,FRAME,MAIN,204,SAPPHIRE BLUE	1.16
CW204SA1-362	ASSY,FRAME,MAIN,204,SAPPHIRE BLUE	1.16
CW204SA2-211	ASSY, 204 CAM,SKY WHITE	2.01
CW204SA2-221	ASSY, 204 CAM,BLACK	2.02
CW204SA2-231	ASSY, 204 CAM,RED	2.03
CW204SA2-241	ASSY, 204 CAM,PLATINUM SPKLE	2.04
CW204SA2-251	ASSY, 204 CAM,SILVER	2.05
CW204SA2-261	ASSY, 204 CAM,BLUE	2.06
CW204SA2-271	ASSY, 204 CAM,CHARCOAL	2.07
CW204SA2-281	ASSY, 204 CAM, CATHEDRAL GREY	2.08
CW204SA2-291	ASSY, 204 CAM,SILVER VIEN	2.09
CW204SA2-311	ASSY, 204 CAM,STONE HG	2.11
CW204SA2-321	ASSY, 204 CAM,TITANIUM HG	2.12
CW204SA2-331	ASSY, 204 CAM,WHITE GLOSS	2.13
CW204SA2-341	ASSY, 204 CAM,BLACK ONYX	2.14
CW204SA2-351	ASSY, 204 CAM,LIGHT BRONZE	2.15
CW204SA2-361	ASSY, 204 CAM,SAPPHIRE BLUE	2.16
CW204205SA3-211	ASSY, ARM, 204/205,SKY WHITE	3.01
CW204205SA3-221	ASSY, ARM, 204/205,BLACK	3.02
CW204205SA3-231	ASSY, ARM, 204/205,RED	3.03
CW204205SA3-241	ASSY, ARM, 204/205,PLAT SPKLE	3.04
CW204205SA3-251	ASSY, ARM, 204/205,SILVER	3.05
CW204205SA3-261	ASSY, ARM, 204/205,BLUE	3.06
CW204205SA3-271	ASSY, ARM, 204/205,CHARCOAL	3.07
CW204205SA3-291	ASSY, ARM, 204/205,SILVER VIEN	3.09
CW204205SA3-311	ASSY, ARM, 204/205,STONE GRAY, HG	3.11
CW204205SA3-321	ASSY, ARM, 204/205,TITANIUM HG	3.12
CWAC1009-101	PULLEY, 4 1/2 DIA. X 1/2 ID	7
CW10043-135	BUSHING, BRONZE, 1 1/4" ID X 1 1/2"	8
CW12405-101	PILLOW BLOCK, BEARING, FLANGE, 4 BO	9
CW12404-101	CAP, GUIDE ROD,DIA 3/4, BLK	10

CW32460-321	ASSY, RATCHETING LEVER, TITANIUM	11
CW11311-102	ENDCAP, REC TUBE, 2X4, BLK PLASTIC	12
CWGR2611-000	GRIP,RUBBER, 1" DIA, 11"	18
CWAC1228-901	SPACER, ALU,.328 ID X .625 OD X .25	19
CW30007-101	PLACARD, CLEAR LEXAN, ANGLED	20
CWAC1232-101	LABEL, ROUND, "PIVOT"	21
CWAC218-901	HANDLE END CAP W/SET SCREWS, DIA 1"	23
CWAC221-901	SHAFT END CAP W/SET SCREWS, DIA 1 1	25
CWPF1212-711	GUIDE ROD, 3/4 X 42 5/8 (#4), CHM	26
CW32535-711	ASSEMBLY, SEAT ADJUSTMENT, 8 HOLE,	27
CW10340-200	TUBE, VINYL, 5/8 OD X 3/8 ID X 2.0	28
CWGR2603-500	GRIP,RUBBER,1" DIA X 3 1/2"	29
CWCLGH066-625	ASSY, CABLE, 204, 712	30
CWPD1207B-101	PAD,5X9X14.5,4HOLES,W/BP,BLACK	32.01
CWPD1207B-102	PAD,5X9X14.5,4HOLES,W/BP,RYL BL	32.02
CWPD1207B-103	PAD,5X9X14.5,4HOLES,W/BP,DVE GRY	32.03
CWPD1207B-104	PAD,5X9X14.5,4HOLES,W/BP,CROCUS	32.04
CWPD1207B-105	PAD,5X9X14.5,4HOLES,W/BP,GROTTO	32.05
CWPD1207B-106	PAD,5X9X14.5,4HOLES,W/BP,GRAPHITE	32.06
CWPD1207B-107	PAD,5X9X14.5,4HOLES,W/BP,RED	32.07
CWPD1207B-108	PAD,5X9X14.5,4HOLES,W/BP,CHN GRN	32.08
CWPD1207B-109	PAD,5X9X14.5,4HOLES,W/BP,TURQSE	32.09
CWPD1207B-110	PAD,5X9X14.5,4HOLES,W/BP,RASP	32.1
CWPD1207B-111	PAD,5X9X14.5,4HOLES,W/BP,PLUM	32.11
CWPD1207B-112	PAD,5X9X14.5,4HOLES,W/BP,REGIMENT	32.12
CWPD1207B-113	PAD,5X9X14.5,4HOLES,W/BP,SPC BLUE	32.13
CWPD1207B-115	PAD,5X9X14.5,4HOLES,W/BP,BLK LTHR	32.15
CWPD1207B-116	PAD,5X9X14.5,4HOLES,W/BP,NVBL LTH	32.16
CWPD1207B-117	PAD,5X9X14.5,4HOLES,W/BP,PUTTY	32.17
CWPD1207B-118	PAD,5X9X14.5,4HOLES,W/BP,IMPRL BL	32.18
CWPD1207B-119	PAD,5X9X14.5,4HOLES,W/BP,YEW GRN	32.19
CWPD1207B-120	PAD,5X9X14.5,4HOLES,W/BP,DSTY JD	32.2
CWPD1207B-121	PAD,5X9X14.5,4HOLES,W/BP,TER COT	32.21
CWPD1207B-122	PAD,5X9X14.5,4HOLES,W/BP,PAPRIKA	32.22
CWPD1207B-123	PAD,5X9X14.5,4HLS,W/BP,ASH LTHR	32.23
CWPD1207B-124	PAD,5X9X14.5,4HLS,W/BP,CERULAN LTHR	32.24
CWPD1207B-125	PAD,5X9X14.5,4HLS,W/BP,CHARCOAL LTH	32.25
CWPD1207B-126	PAD,5X9X14.5,4HLS,W/BP,HUNTER LTHR	32.26
CWPD1207B-127	PAD,5X9X14.5,4HLS,W/BP,MOSS LTHR	32.27
CWPD1207B-128	PAD,5X9X14.5,4HLS,W/BP,SPICE LTHR	32.28
CWPD1207B-129	PAD,5X9X14.5,4HLS,W/BP,TOMATO LTH	32.29
CWPD1500J-101	PAD,ANG,2P(9.69X22)(5.63X22)BLK,W/S	33.01
CWPD1500J-102	PAD,ANG,2P(9.69X22)(5.63X22)RY BL,W	33.02
CWPD1500J-103	PAD,ANG,2P(9.69X22)(5.63X22)DV GR,W	33.03
CWPD1500J-104	PAD,ANG,2P(9.69X22)(5.63X22)CRCS,W/	33.04
CWPD1500J-105	PAD,ANG,2P(9.69X22)(5.63X22)GRTO,W/	33.05
CWPD1500J-106	PAD,ANG,2P(9.69X22)(5.63X22)GRPHT,W/	33.06
CWPD1500J-107	PAD,ANG,2P(9.69X22)(5.63X22)RED,W/S	33.07
CWPD1500J-108	PAD,ANG,2P(9.69X22)(5.63X22)CHGR,W/	33.08
CWPD1500J-109	PAD,ANG,2P(9.69X22)(5.63X22)TRQS,W/	33.09
CWPD1500J-110	PAD,ANG,2P(9.69X22)(5.63X22)RASP,W/	33.1

CWPD1500J-111	PAD,ANG,2P(9.69X22)(5.63X22)PLUM,W/	33.11
CWPD1500J-112	PAD,ANG,2P(9.69X22)(5.63X22)RGMT,W/	33.12
CWPD1500J-113	PAD,ANG,2P(9.69X22)(5.63X22)SP BL,W	33.13
CWPD1500J-115	PAD,ANG,2P(9.69X22)(5.63X22)BLK LT,	33.15
CWPD1500J-116	PAD,ANG,2P(9.69X22)(5.63X22)NBL LT,	33.16
CWPD1500J-117	PAD,ANG,2P(9.69X22)(5.63X22),PUTTY,	33.17
CWPD1500J-118	PAD,ANG,2P(9.69X22)(5.63X22),IMP BL	33.18
CWPD1500J-119	PAD,ANG,2P(9.69X22)(5.63X22),YW GRN	33.19
CWPD1500J-120	PAD,ANG,2P(9.69X22)(5.63X22),DST JD	33.2
CWPD1500J-121	PAD,ANG,2P(9.69X22)(5.63X22)TER COT	33.21
CWPD1500J-122	PAD,ANG,2P(9.69X22)(5.63X22),PAPRKA	33.22
CWPD1500J-123	PD,ANG,2P,9.69X22,5.63X22,ASH LTHR,	33.23
CWPD1500J-124	PD,ANG,2P,9.69X22,5.63X22,CERLN LTH	33.24
CWPD1500J-125	PD,ANG,2P,9.69X22,5.63X22,CHRCL LTH	33.25
CWPD1500J-126	PD,ANG,2P,9.69X22,5.63X22,HUNTR LTH	33.26
CWPD1500J-127	PD,ANG,2P,9.69X22,5.63X22,MOSS LTH,	33.27
CWPD1500J-129	PD,ANG,2P,9.69X22,5.63X22,TOMTO LTH	33.29
CWPF1016-731	BAR,,FLAT CR/HR, 3/8 X 2 X 8 1/4, 3	34
CWSA1501-721	WELDMENT, COUNTER WEIGHT, 2" THK, W	35
CW30093-150	WEIGHT STACK,150 LBS,MTP-S,14 X 10	36
CWHCYN044-375	SCREW, HEX HEAD , BLK XYLA	37
CWKADLN050-081	NUT, ACORN, 1/2-13	38
CWKMYN044-038	NUT, HEX, UNC, 7/16-14, BLK XYLAN	39
CW12537-109	NUT,INSERT,THIN-NUT,LARGE FLANGE	40
CWLDNN031-200	PIN, ROLL, DIA 5/16 X 2.00	42
CWTAYN038-075	SCREW, BUTTON HEAD, BLK XYLAN, 3/8	42
CWTAYN031-100	SCREW, BUTTON HEAD, BLK XYLAN, 5/1	43
CWTAYN031-150	SCREW, BUTTON HEAD, BLK XYLAN,5/16	44
CWTAYN031-300	SCREW, BUTTON HEAD, BLK XYLAN,5/16	45
CWBFNN050-250	STUD, 1/2-13 X 2 1/2	46
CWWBKN031-007	WASHER, FLAT, TYPE A, SAE, 5/16 ID	47
CWWBKN038-007	WASHER, FLAT, TYPE A, SAE, 3/8 ID	48
CWWALYN031-008	WASHER, SPLIT, 5/16 ID, BL	49
CWWALYN038-009	WASHER, SPLIT, 3/8 ID, BLK XYLAN	50
CWWALYN044-011	WASHER, SPLIT, 7/16 ID, BLK XYLAN	51
CWWALYN050-013	WASHER, SPLIT, 1/2 ID, BLK XYLAN	52
CW31756-101	LABEL, PRECOR USA ICARIAN LINE	53
CW30010-101	LABEL,WARNING STRENGTH	55
CW30007-101	PLACARD, CLEAR LEXAN, ANGLED	56
CW30023-101	LABEL,INSTRUCTION,204	57
CW31784-731	STOP PLUG, BLK ZN	57
CW12634-101	SPRING, TORSION 90 DEG X 0.484 X 0.	72
CW31770-742	LATCH PIVOTING PIN, CLR ZN	73
CWAMNN028-003	RING, RETAINING, 2-TURN, SPIRAL, SS	74
CW12633-101	ENDCAP, REC TUBE, LDP, 1 1/2 X 3 1	75
CW30181-711	ASSY,SEAT SUPPORT,9 HOLE,CHM	76
CW30165-751	ASSY, POP PIN, 0.450 DIA HANDLE, B	77
CWAC1236-101	GUIDE INSERT, PLASTIC WITHOUT HOLE,	99
CWAC1236-102	GUIDE INSERT, PLASTIC WITH HOLE, BL	100
CWAC220-901	HANDLE END CAP W/SET SCREWS, DIA 3/	101
CWGR2505-000	GRIP,RUBBER,3/4" DIA, 5"	102

CW10505-721	ASSY, PLATE, WEIGHT, 05 LBS, WRKL B	200
CW10510-721	ASSY, PLATE, WEIGHT, 10 LBS, WRKL B	201
CWAC1133-101	BUSHING, WEIGHT PLATE, LDPE PLASTIC	203
CW30172-751	ASSY, 4.00 IN WEIGHT STACK PIN AND	227
CWLDNN038-200	PIN, ROLL, DIA 3/8 X 2	250
CW30184-901	ASSY,BARREL, TOP PLATE,ALUMINUM	251
CW10535-722	PLATE, WEIGHT, SMALLTOP (STP-S), 0	281
CW10550-722	PLATE, WEIGHT, MED TOP (MTP-S), 10	283
CW30130-711	SELECTOR STEM, 15 PLATE,0 .875 DIA,	304
CW30011-101	LABEL,WARNING WEIGHT STACK	311
CW12401-102	LABEL, WEIGHT PLATE, 10 LBS/ 4.6 KG	315
CW12401-104	LABEL, WEIGHT PLATE, 15 LBS/ 6.8 KG	317
CW12401-106	LABEL, WEIGHT PLATE, 20 LBS/ 8 KG	319
CW12401-108	LABEL, WEIGHT PLATE, 25 LBS/ 11.4 K	321
CW12401-110	LABEL, WEIGHT PLATE, 30 LBS/ 13.6 K	323
CW12401-112	LABEL, WEIGHT PLATE, 35 LBS/ 15.9 K	325
CW12401-114	LABEL, WEIGHT PLATE, 40 LBS/ 18.2 K	327
CW12401-116	LABEL, WEIGHT PLATE, 45 LBS/ 20.5 K	329
CW12401-118	LABEL, WEIGHT PLATE, 50 LBS/ 22.7 K	331
CW12401-119	LABEL, WEIGHT PLATE, 55 LBS/ 25 KG	332
CW12401-120	LABEL, WEIGHT PLATE, 60 LBS/ 27.3 K	332
CW12401-120	LABEL, WEIGHT PLATE, 60 LBS/ 27.3 K	333
CW12401-121	LABEL, WEIGHT PLATE, 65 LBS/ 29.5 K	334
CW12401-122	LABEL, WEIGHT PLATE, 70 LBS/ 31.8 K	335
CW12401-123	LABEL, WEIGHT PLATE, 75 LBS/ 34.1 K	336
CW12401-124	LABEL, WEIGHT PLATE, 80 LBS/ 36.4 K	337
CW12401-126	LABEL, WEIGHT PLATE, 90 LBS/ 40.9 K	339
CW12401-128	LABEL, WEIGHT PLATE, 100 LBS/ 45.5	341
CW12401-129	LABEL, WEIGHT PLATE, 110 LBS/ 50 KG	342
CW12401-130	LABEL, WEIGHT PLATE, 120 LBS/ 54.6	343
CW12401-131	LABEL, WEIGHT PLATE, 130 LBS/ 59.1	344
CW12401-132	LABEL, WEIGHT PLATE, 140 LBS/ 63.6	345
CW12401-133	LABEL, WEIGHT PLATE, 150 LBS/ 68.2	346
CW12537-109	NUT,INSERT,THIN-NUT,LARGE FLANGE	400
CW30126-101	LABEL,VINYL, PRECOR, 3.25 X 18.0	401
CWPF3143-211	SHROUD,SHEET,STEEL,3/32 THICK,4 BEN	402.01
CWPF3143-221	SHROUD,SHEET,STEEL,3/32 THICK,4 BEN	402.02
CWPF3143-231	SHROUD,SHEET,STEEL,3/32 THICK,4 BEN	402.03
CWPF3143-241	SHROUD,SHEET,STEEL,3/32 THICK,4 BEN	402.04
CWPF3143-251	SHROUD,SHEET,STEEL,3/32 THICK,4 BEN	402.05
CWPF3143-261	SHROUD,SHEET,STEEL,3/32 THICK,4 BEN	402.06
CWPF3143-271	SHROUD,SHEET,STEEL,3/32 THICK,4 BEN	402.07
CWPF3143-281	SHROUD,SHEET,STEEL,3/32 THICK,4 BEN	402.08
CWPF3143-291	SHROUD,SHEET,STEEL,3/32 THICK,4 BEN	402.09
CWPF3143-311	SHROUD,SHEET,STEEL,3/32 THICK,4 BEN	402.11
CWPF3143-321	SHROUD,SHEET,STEEL,3/32 THICK,4 BEN	402.12
CWPF3143-331	SHROUD,SHEET,STEEL,3/32 THICK,4 BEN	402.13
CWPF3143-341	SHROUD,SHEET,STEEL,3/32 THICK,4 BEN	402.14
CWPF3143-351	SHROUD,SHEET,STEEL,3/32 THICK,4 BEN	402.15
CWPF3143-361	SHROUD,SHEET,STEEL,3/32 THICK,4 BEN	402.16
CWPF3143-711	SHROUD,SHEET,STEEL,3/32 THICK,4 BEN	402.17

CWPF3144-721	SHROUD BRKT,PLATE,STEEL,1/8 THICK,1	403
CWPF3145-721	SHROUD BRKT,PLATE,STEEL,1/8 THICK,2	404
CWTAYN031-100	SCREW, BUTTON HEAD, BLK XYLAN, 5/1	405
CWWALYN031-008	WASHER, SPLIT, 5/16 ID, BL	406
CWWBKN031-007	WASHER, FLAT, TYPE A, SAE, 5/16 ID	407
CWAC1177-101	FLOOR PROTECTOR, RUBBER, 4.563 X 4.	501
CWAC1180-101	FLOOR PROTECTOR, RUBBER, 2.563 X 4.	502

204 Camber Curl

Part Number	Description	Bubble Number
CW204SA1-211	ASSY,FRAME,MAIN,204,SKY WHITE	1.01
CW204SA1-212	ASSY,FRAME,MAIN,204,SKY WHITE	1.01
CW204SA1-221	ASSY,FRAME,MAIN,204,BLACK	1.02
CW204SA1-222	ASSY,FRAME,MAIN,204,BLACK	1.02
CW204SA1-231	ASSY,FRAME,MAIN,204,RED	1.03
CW204SA1-251	ASSY,FRAME,MAIN,204,SILVER	1.05
CW204SA1-261	ASSY,FRAME,MAIN,204,BLUE	1.06
CW204SA1-271	ASSY,FRAME,MAIN,204,CHARCOAL	1.07
CW204SA1-281	ASSY,FRAME,MAIN,204,CATHEDRAL GRAY	1.08
CW204SA1-291	ASSY,FRAME,MAIN,204,SILVER VIEN	1.09
CW204SA1-311	ASSY,FRAME,MAIN,204,STONE HG	1.11
CW204SA1-312	ASSY,FRAME,MAIN,204,STONE HG	1.11
CW204SA1-321	ASSY,FRAME,MAIN,204,TITANIUM HG	1.12
CW204SA1-322	ASSY,FRAME,MAIN,204,TITANIUM HG	1.12
CW204SA1-331	ASSY,FRAME,MAIN,204,WHITE GLOSS	1.13
CW204SA1-341	ASSY,FRAME,MAIN,204,BLACK ONYX	1.14
CW204SA1-351	ASSY,FRAME,MAIN,204,LIGHT BRONZE	1.15
CW204SA1-352	ASSY,FRAME,MAIN,204,LIGHT BRONZE	1.15
CW204SA1-361	ASSY,FRAME,MAIN,204,SAPPHIRE BLUE	1.16
CW204SA1-362	ASSY,FRAME,MAIN,204,SAPPHIRE BLUE	1.16
CW204SA2-211	ASSY, 204 CAM,SKY WHITE	2.01
CW204SA2-221	ASSY, 204 CAM,BLACK	2.02
CW204SA2-231	ASSY, 204 CAM,RED	2.03
CW204SA2-241	ASSY, 204 CAM,PLATINUM SPKLE	2.04
CW204SA2-251	ASSY, 204 CAM,SILVER	2.05
CW204SA2-261	ASSY, 204 CAM,BLUE	2.06
CW204SA2-271	ASSY, 204 CAM,CHARCOAL	2.07
CW204SA2-281	ASSY, 204 CAM, CATHEDRAL GREY	2.08
CW204SA2-291	ASSY, 204 CAM,SILVER VIEN	2.09
CW204SA2-311	ASSY, 204 CAM,STONE HG	2.11
CW204SA2-321	ASSY, 204 CAM,TITANIUM HG	2.12
CW204SA2-331	ASSY, 204 CAM,WHITE GLOSS	2.13
CW204SA2-341	ASSY, 204 CAM,BLACK ONYX	2.14
CW204SA2-351	ASSY, 204 CAM,LIGHT BRONZE	2.15
CW204SA2-361	ASSY, 204 CAM,SAPPHIRE BLUE	2.16
CW204205SA3-211	ASSY, ARM, 204/205,SKY WHITE	3.01
CW204205SA3-221	ASSY, ARM, 204/205,BLACK	3.02
CW204205SA3-231	ASSY, ARM, 204/205,RED	3.03
CW204205SA3-241	ASSY, ARM, 204/205,PLAT SPKLE	3.04
CW204205SA3-251	ASSY, ARM, 204/205,SILVER	3.05
CW204205SA3-261	ASSY, ARM, 204/205,BLUE	3.06
CW204205SA3-271	ASSY, ARM, 204/205,CHARCOAL	3.07
CW204205SA3-291	ASSY, ARM, 204/205,SILVER VIEN	3.09
CW204205SA3-311	ASSY, ARM, 204/205,STONE GRAY, HG	3.11
CW204205SA3-321	ASSY, ARM, 204/205,TITANIUM HG	3.12
CWAC1009-101	PULLEY, 4 1/2 DIA. X 1/2 ID	7
CW10043-135	BUSHING, BRONZE, 1 1/4" ID X 1 1/2"	8
CW12405-101	PILLOW BLOCK, BEARING, FLANGE, 4 BO	9
CW12404-101	CAP, GUIDE ROD,DIA 3/4, BLK	10

CW32460-321	ASSY, RATCHETING LEVER, TITANIUM	11
CW11311-102	ENDCAP, REC TUBE, 2X4, BLK PLASTIC	12
CWGR2611-000	GRIP,RUBBER, 1" DIA, 11"	18
CWAC1228-901	SPACER, ALU,.328 ID X .625 OD X .25	19
CW30007-101	PLACARD, CLEAR LEXAN, ANGLED	20
CWAC1232-101	LABEL, ROUND, "PIVOT"	21
CWAC218-901	HANDLE END CAP W/SET SCREWS, DIA 1"	23
CWAC221-901	SHAFT END CAP W/SET SCREWS, DIA 1 1	25
CWPF1212-711	GUIDE ROD, 3/4 X 42 5/8 (#4), CHM	26
CW32535-711	ASSEMBLY, SEAT ADJUSTMENT, 8 HOLE,	27
CW10340-200	TUBE, VINYL, 5/8 OD X 3/8 ID X 2.0	28
CWGR2603-500	GRIP,RUBBER,1" DIA X 3 1/2"	29
CWCLGH066-625	ASSY, CABLE, 204, 712	30
CWPD1207B-101	PAD,5X9X14.5,4HOLES,W/BP,BLACK	32.01
CWPD1207B-102	PAD,5X9X14.5,4HOLES,W/BP,RYL BL	32.02
CWPD1207B-103	PAD,5X9X14.5,4HOLES,W/BP,DVE GRY	32.03
CWPD1207B-104	PAD,5X9X14.5,4HOLES,W/BP,CROCUS	32.04
CWPD1207B-105	PAD,5X9X14.5,4HOLES,W/BP,GROTTO	32.05
CWPD1207B-106	PAD,5X9X14.5,4HOLES,W/BP,GRAPHITE	32.06
CWPD1207B-107	PAD,5X9X14.5,4HOLES,W/BP,RED	32.07
CWPD1207B-108	PAD,5X9X14.5,4HOLES,W/BP,CHN GRN	32.08
CWPD1207B-109	PAD,5X9X14.5,4HOLES,W/BP,TURQSE	32.09
CWPD1207B-110	PAD,5X9X14.5,4HOLES,W/BP,RASP	32.1
CWPD1207B-111	PAD,5X9X14.5,4HOLES,W/BP,PLUM	32.11
CWPD1207B-112	PAD,5X9X14.5,4HOLES,W/BP,REGIMENT	32.12
CWPD1207B-113	PAD,5X9X14.5,4HOLES,W/BP,SPC BLUE	32.13
CWPD1207B-115	PAD,5X9X14.5,4HOLES,W/BP,BLK LTHR	32.15
CWPD1207B-116	PAD,5X9X14.5,4HOLES,W/BP,NVBL LTH	32.16
CWPD1207B-117	PAD,5X9X14.5,4HOLES,W/BP,PUTTY	32.17
CWPD1207B-118	PAD,5X9X14.5,4HOLES,W/BP,IMPRL BL	32.18
CWPD1207B-119	PAD,5X9X14.5,4HOLES,W/BP,YEW GRN	32.19
CWPD1207B-120	PAD,5X9X14.5,4HOLES,W/BP,DSTY JD	32.2
CWPD1207B-121	PAD,5X9X14.5,4HOLES,W/BP,TER COT	32.21
CWPD1207B-122	PAD,5X9X14.5,4HOLES,W/BP,PAPRIKA	32.22
CWPD1207B-123	PAD,5X9X14.5,4HLS,W/BP,ASH LTHR	32.23
CWPD1207B-124	PAD,5X9X14.5,4HLS,W/BP,CERULAN LTHR	32.24
CWPD1207B-125	PAD,5X9X14.5,4HLS,W/BP,CHARCOAL LTH	32.25
CWPD1207B-126	PAD,5X9X14.5,4HLS,W/BP,HUNTER LTHR	32.26
CWPD1207B-127	PAD,5X9X14.5,4HLS,W/BP,MOSS LTHR	32.27
CWPD1207B-128	PAD,5X9X14.5,4HLS,W/BP,SPICE LTHR	32.28
CWPD1207B-129	PAD,5X9X14.5,4HLS,W/BP,TOMATO LTH	32.29
CWPD1500J-101	PAD,ANG,2P(9.69X22)(5.63X22)BLK,W/S	33.01
CWPD1500J-102	PAD,ANG,2P(9.69X22)(5.63X22)RY BL,W	33.02
CWPD1500J-103	PAD,ANG,2P(9.69X22)(5.63X22)DV GR,W	33.03
CWPD1500J-104	PAD,ANG,2P(9.69X22)(5.63X22)CRCS,W/	33.04
CWPD1500J-105	PAD,ANG,2P(9.69X22)(5.63X22)GRTO,W/	33.05
CWPD1500J-106	PAD,ANG,2P(9.69X22)(5.63X22)GRPHT,W/	33.06
CWPD1500J-107	PAD,ANG,2P(9.69X22)(5.63X22)RED,W/S	33.07
CWPD1500J-108	PAD,ANG,2P(9.69X22)(5.63X22)CHGR,W/	33.08
CWPD1500J-109	PAD,ANG,2P(9.69X22)(5.63X22)TRQS,W/	33.09
CWPD1500J-110	PAD,ANG,2P(9.69X22)(5.63X22)RASP,W/	33.1

CWPD1500J-111	PAD,ANG,2P(9.69X22)(5.63X22)PLUM,W/	33.11
CWPD1500J-112	PAD,ANG,2P(9.69X22)(5.63X22)RGMT,W/	33.12
CWPD1500J-113	PAD,ANG,2P(9.69X22)(5.63X22)SP BL,W	33.13
CWPD1500J-115	PAD,ANG,2P(9.69X22)(5.63X22)BLK LT,	33.15
CWPD1500J-116	PAD,ANG,2P(9.69X22)(5.63X22)NBL LT,	33.16
CWPD1500J-117	PAD,ANG,2P(9.69X22)(5.63X22),PUTTY,	33.17
CWPD1500J-118	PAD,ANG,2P(9.69X22)(5.63X22),IMP BL	33.18
CWPD1500J-119	PAD,ANG,2P(9.69X22)(5.63X22),YW GRN	33.19
CWPD1500J-120	PAD,ANG,2P(9.69X22)(5.63X22),DST JD	33.2
CWPD1500J-121	PAD,ANG,2P(9.69X22)(5.63X22)TER COT	33.21
CWPD1500J-122	PAD,ANG,2P(9.69X22)(5.63X22),PAPRKA	33.22
CWPD1500J-123	PD,ANG,2P,9.69X22,5.63X22,ASH LTHR,	33.23
CWPD1500J-124	PD,ANG,2P,9.69X22,5.63X22,CERLN LTH	33.24
CWPD1500J-125	PD,ANG,2P,9.69X22,5.63X22,CHRCL LTH	33.25
CWPD1500J-126	PD,ANG,2P,9.69X22,5.63X22,HUNTR LTH	33.26
CWPD1500J-127	PD,ANG,2P,9.69X22,5.63X22,MOSS LTH,	33.27
CWPD1500J-129	PD,ANG,2P,9.69X22,5.63X22,TOMTO LTH	33.29
CWPF1016-731	BAR,,FLAT CR/HR, 3/8 X 2 X 8 1/4, 3	34
CWSA1501-721	WELDMENT, COUNTER WEIGHT, 2" THK, W	35
CW30093-150	WEIGHT STACK,150 LBS,MTP-S,14 X 10	36
CWHCYN044-375	SCREW, HEX HEAD , BLK XYLEA	37
CWKADLN050-081	NUT, ACORN, 1/2-13	38
CWKMYN044-038	NUT, HEX, UNC, 7/16-14, BLK XYLAN	39
CW12537-109	NUT,INSERT,THIN-NUT,LARGE FLANGE	40
CWLDNN031-200	PIN, ROLL, DIA 5/16 X 2.00	42
CWTAYN038-075	SCREW, BUTTON HEAD, BLK XYLAN, 3/8	42
CWTAYN031-100	SCREW, BUTTON HEAD, BLK XYLAN, 5/1	43
CWTAYN031-150	SCREW, BUTTON HEAD, BLK XYLAN,5/16	44
CWTAYN031-300	SCREW, BUTTON HEAD, BLK XYLAN,5/16	45
CWBFNN050-250	STUD, 1/2-13 X 2 1/2	46
CWWBKN031-007	WASHER, FLAT, TYPE A, SAE, 5/16 ID	47
CWWBKN038-007	WASHER, FLAT, TYPE A, SAE, 3/8 ID	48
CWWALYN031-008	WASHER, SPLIT, 5/16 ID, BL	49
CWWALYN038-009	WASHER, SPLIT, 3/8 ID, BLK XYLAN	50
CWWALYN044-011	WASHER, SPLIT, 7/16 ID, BLK XYLAN	51
CWWALYN050-013	WASHER, SPLIT, 1/2 ID, BLK XYLAN	52
CW31756-101	LABEL, PRECOR USA ICARIAN LINE	53
CW30010-101	LABEL,WARNING STRENGTH	55
CW30007-101	PLACARD, CLEAR LEXAN, ANGLED	56
CW30023-101	LABEL,INSTRUCTION,204	57
CW31784-731	STOP PLUG, BLK ZN	57
CW12634-101	SPRING, TORSION 90 DEG X 0.484 X 0.	72
CW31770-742	LATCH PIVOTING PIN, CLR ZN	73
CWAMNN028-003	RING, RETAINING, 2-TURN, SPIRAL, SS	74
CW12633-101	ENDCAP, REC TUBE, LDP, 1 1/2 X 3 1	75
CW30181-711	ASSY,SEAT SUPPORT,9 HOLE,CHM	76
CW30165-751	ASSY, POP PIN, 0.450 DIA HANDLE, B	77
CWAC1236-101	GUIDE INSERT, PLASTIC WITHOUT HOLE,	99
CWAC1236-102	GUIDE INSERT, PLASTIC WITH HOLE, BL	100
CWAC220-901	HANDLE END CAP W/SET SCREWS, DIA 3/	101
CWGR2505-000	GRIP,RUBBER,3/4" DIA, 5"	102

CW10505-721	ASSY, PLATE, WEIGHT, 05 LBS, WRKL B	200
CW10510-721	ASSY, PLATE, WEIGHT, 10 LBS, WRKL B	201
CWAC1133-101	BUSHING, WEIGHT PLATE, LDPE PLASTIC	203
CW30172-751	ASSY, 4.00 IN WEIGHT STACK PIN AND	227
CWLDNN038-200	PIN, ROLL, DIA 3/8 X 2	250
CW30184-901	ASSY,BARREL, TOP PLATE,ALUMINUM	251
CW10535-722	PLATE, WEIGHT, SMALLTOP (STP-S), 0	281
CW10550-722	PLATE, WEIGHT, MED TOP (MTP-S), 10	283
CW30130-711	SELECTOR STEM, 15 PLATE,0 .875 DIA,	304
CW30011-101	LABEL,WARNING WEIGHT STACK	311
CW12401-102	LABEL, WEIGHT PLATE, 10 LBS/ 4.6 KG	315
CW12401-104	LABEL, WEIGHT PLATE, 15 LBS/ 6.8 KG	317
CW12401-106	LABEL, WEIGHT PLATE, 20 LBS/ 8 KG	319
CW12401-108	LABEL, WEIGHT PLATE, 25 LBS/ 11.4 K	321
CW12401-110	LABEL, WEIGHT PLATE, 30 LBS/ 13.6 K	323
CW12401-112	LABEL, WEIGHT PLATE, 35 LBS/ 15.9 K	325
CW12401-114	LABEL, WEIGHT PLATE, 40 LBS/ 18.2 K	327
CW12401-116	LABEL, WEIGHT PLATE, 45 LBS/ 20.5 K	329
CW12401-118	LABEL, WEIGHT PLATE, 50 LBS/ 22.7 K	331
CW12401-119	LABEL, WEIGHT PLATE, 55 LBS/ 25 KG	332
CW12401-120	LABEL, WEIGHT PLATE, 60 LBS/ 27.3 K	332
CW12401-120	LABEL, WEIGHT PLATE, 60 LBS/ 27.3 K	333
CW12401-121	LABEL, WEIGHT PLATE, 65 LBS/ 29.5 K	334
CW12401-122	LABEL, WEIGHT PLATE, 70 LBS/ 31.8 K	335
CW12401-123	LABEL, WEIGHT PLATE, 75 LBS/ 34.1 K	336
CW12401-124	LABEL, WEIGHT PLATE, 80 LBS/ 36.4 K	337
CW12401-126	LABEL, WEIGHT PLATE, 90 LBS/ 40.9 K	339
CW12401-128	LABEL, WEIGHT PLATE, 100 LBS/ 45.5	341
CW12401-129	LABEL, WEIGHT PLATE, 110 LBS/ 50 KG	342
CW12401-130	LABEL, WEIGHT PLATE, 120 LBS/ 54.6	343
CW12401-131	LABEL, WEIGHT PLATE, 130 LBS/ 59.1	344
CW12401-132	LABEL, WEIGHT PLATE, 140 LBS/ 63.6	345
CW12401-133	LABEL, WEIGHT PLATE, 150 LBS/ 68.2	346
CW12537-109	NUT,INSERT,THIN-NUT,LARGE FLANGE	400
CW30126-101	LABEL,VINYL, PRECOR, 3.25 X 18.0	401
CWPF3143-211	SHROUD,SHEET,STEEL,3/32 THICK,4 BEN	402.01
CWPF3143-221	SHROUD,SHEET,STEEL,3/32 THICK,4 BEN	402.02
CWPF3143-231	SHROUD,SHEET,STEEL,3/32 THICK,4 BEN	402.03
CWPF3143-241	SHROUD,SHEET,STEEL,3/32 THICK,4 BEN	402.04
CWPF3143-251	SHROUD,SHEET,STEEL,3/32 THICK,4 BEN	402.05
CWPF3143-261	SHROUD,SHEET,STEEL,3/32 THICK,4 BEN	402.06
CWPF3143-271	SHROUD,SHEET,STEEL,3/32 THICK,4 BEN	402.07
CWPF3143-281	SHROUD,SHEET,STEEL,3/32 THICK,4 BEN	402.08
CWPF3143-291	SHROUD,SHEET,STEEL,3/32 THICK,4 BEN	402.09
CWPF3143-311	SHROUD,SHEET,STEEL,3/32 THICK,4 BEN	402.11
CWPF3143-321	SHROUD,SHEET,STEEL,3/32 THICK,4 BEN	402.12
CWPF3143-331	SHROUD,SHEET,STEEL,3/32 THICK,4 BEN	402.13
CWPF3143-341	SHROUD,SHEET,STEEL,3/32 THICK,4 BEN	402.14
CWPF3143-351	SHROUD,SHEET,STEEL,3/32 THICK,4 BEN	402.15
CWPF3143-361	SHROUD,SHEET,STEEL,3/32 THICK,4 BEN	402.16
CWPF3143-711	SHROUD,SHEET,STEEL,3/32 THICK,4 BEN	402.17

CWPF3144-721	SHROUD BRKT,PLATE,STEEL,1/8 THICK,1	403
CWPF3145-721	SHROUD BRKT,PLATE,STEEL,1/8 THICK,2	404
CWTAYN031-100	SCREW, BUTTON HEAD, BLK XYLAN, 5/1	405
CWWALYN031-008	WASHER, SPLIT, 5/16 ID, BL	406
CWWBKN031-007	WASHER, FLAT, TYPE A, SAE, 5/16 ID	407
CWAC1177-101	FLOOR PROTECTOR, RUBBER, 4.563 X 4.	501
CWAC1180-101	FLOOR PROTECTOR, RUBBER, 2.563 X 4.	502